



## Deckbake 950 3T Master Pro H18

Electrical Supply

CODE: 926052120

Trays	3T 40x60 cm
Internal dimensions	1230 L x 730 P x 180 H mm
Outside dimension	1600 L x 1026 P x 397 H mm
Power	10,9 kW
Weight	195 Kg
Max temperature	300° C
Power supply	400 V ~ 3PH + N + PE 400 V ~ 2PH + N + PE 230 V ~ 3PH + PE 230 V ~ 1PH + N + PE 50-60 Hz

### Equipment

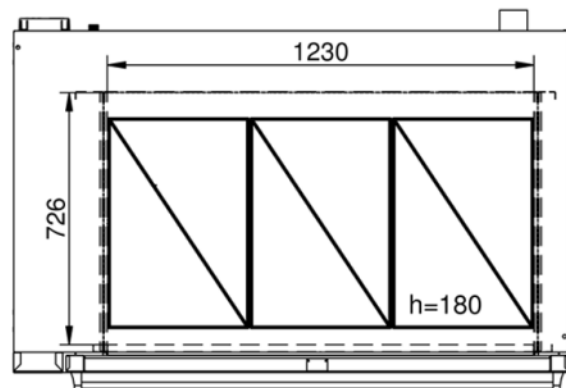
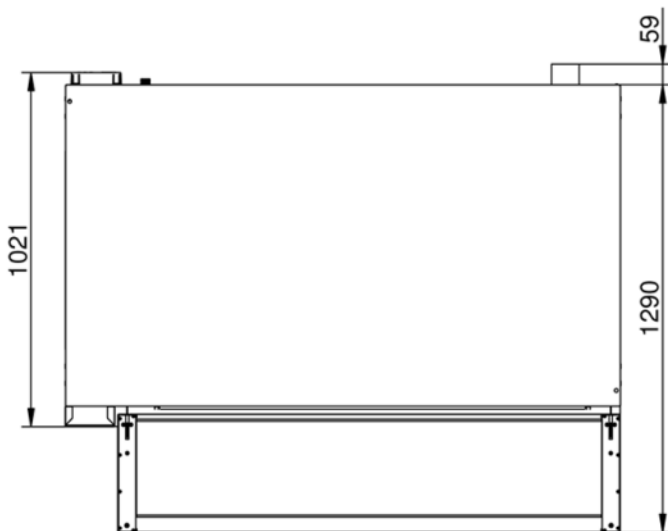
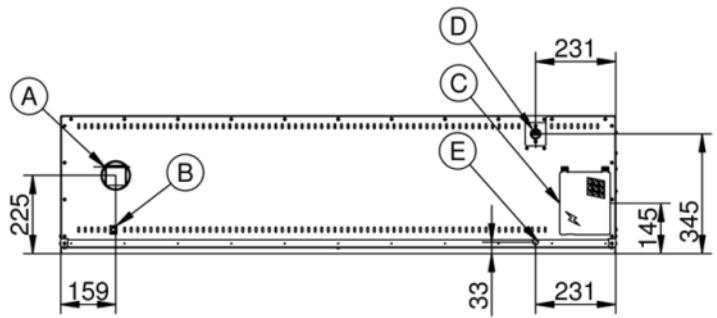
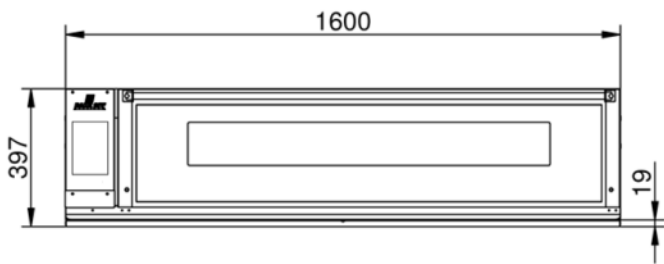
Double low emissive glass	High-performance thermal insulation	Modularity
CE Certificate	Temperature control top / bottom in °C	Door gasket in refractory material
Time-programmable steam injection	Manual steam injection	Manual mode
Automatic preheating	Delayed start programming	Automatic detection and errors report
Overlap option	Ground in refractory cement	

### Options

Ethernet connection and wi-fi set-up DeckNET	Steamer and automatic chimney
--	-------------------------------

Deckbake 950 3T Master Pro H18

Electrical Supply



**Legend**

- A - Steam exhaust  $\varnothing$  80
- B - Equipotential terminal comb
- C - Electric supply

E - Drain liquid  $\varnothing$  12mm

Steamer Option:  
D - Water inlet 3/4"

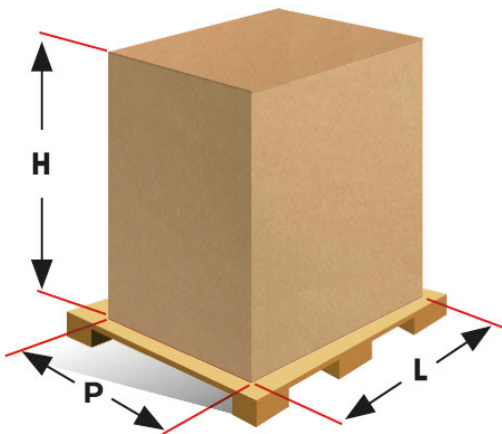
**Deckbake 950 3T Master Pro H18**

Electrical Supply

**Supply and Connections**



**Packaging**



Packing size:	<b>1660 L x 1180 P x 600 H mm</b>
Net weight:	<b>195 Kg</b>
Gross weight:	<b>225 Kg</b>