



Bistrot 16T Master Pro

Electrical Supply

CODE: 926015330

Trays	16T 40x60 46x66 cm
Outside dimension	850 L x 963 P x 1860 H mm
Tray distance	80 mm
Power	32 kW
Weight	177 Kg
Max temperature	270° C
Power supply	400 V ~ 3PH + N + PE 400 V ~ 2PH + N + PE 230 V ~ 3PH + PE 230 V ~ 1PH + N + PE 50-60 Hz

Equipment

Led illumination	BakeAIR multi-fan system	Double low emissive glass
High-performance thermal insulation	USB connection	Blue LED for chamber cleaning check
Set-up for BakeHIN vacuum core probe	Five fan speeds and semi-static cooking	Nine cooking modes
Automatic chimney opening BakeDRY	Program blocking with password	Rounded baking chamber
CE Certificate	Automatic control of dry/steam balance inside the chamber	Steam control in percentage BakeSTEAM
Multi-timer function for multiple and mixed cooking	Time-programmable steam injection	Manual steam injection
Storage, viewing* and exportation of cooking data (haccp)	Customized programs mode	Manual mode
Preset programs mode	Automatic preheating	Cooling program
Delayed start programming	Delayed cooking programming	Cooking chamber automatic cooling
Pre-loaded and online cookbook	Automatic detection and errors report	Openable inner glass for easy cleaning
Fan inversion, speed control and motor brake		

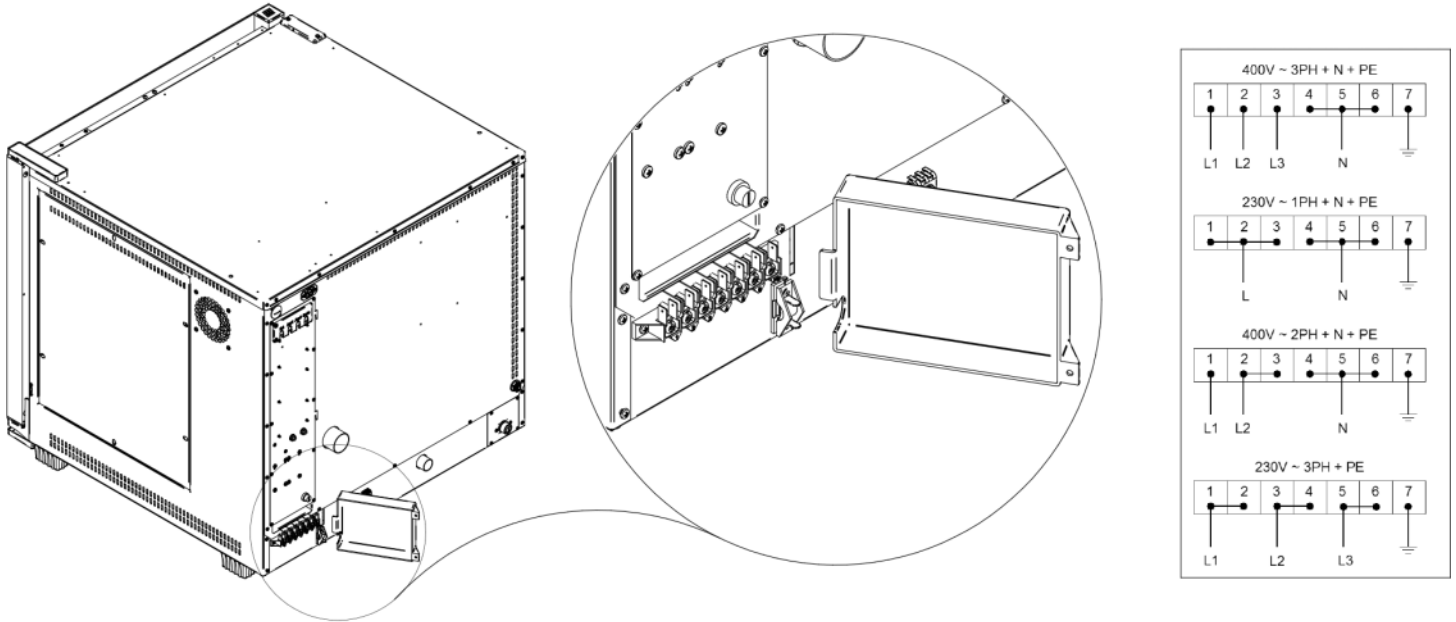
Options

BakeHIN vacuum core probe	BakeCLEAN automatic washing system	Safety rinse
---------------------------	------------------------------------	--------------

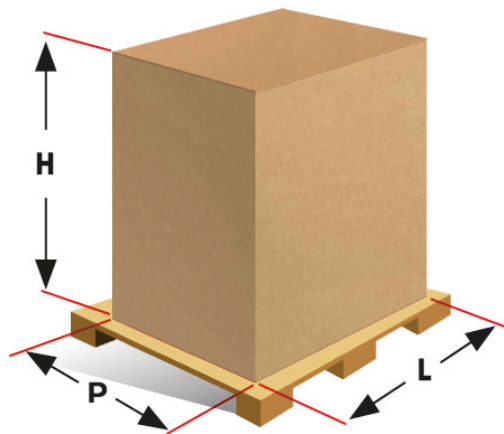
Bistrot 16T Master Pro

Electrical Supply

Supply and Connections



Packaging



Packing size:	950 L x 1040 P x 2090 H mm
Net weight:	177 Kg
Gross weight:	233 Kg