



## Deckbake 950 3T Classic H24

Electrical Supply

CODE: 926052210

Trays	3T 40x60 cm
Internal dimensions	1230 L x 730 P x 240 H mm
Outside dimension	1600 L x 1026 P x 457 H mm
Power	10,9 kW
Weight	205 Kg
Max temperature	300° C
Power supply	400 V ~ 3PH + N + PE 400 V ~ 2PH + N + PE 230 V ~ 3PH + PE 230 V ~ 1PH + N + PE 50-60 Hz

### Equipment

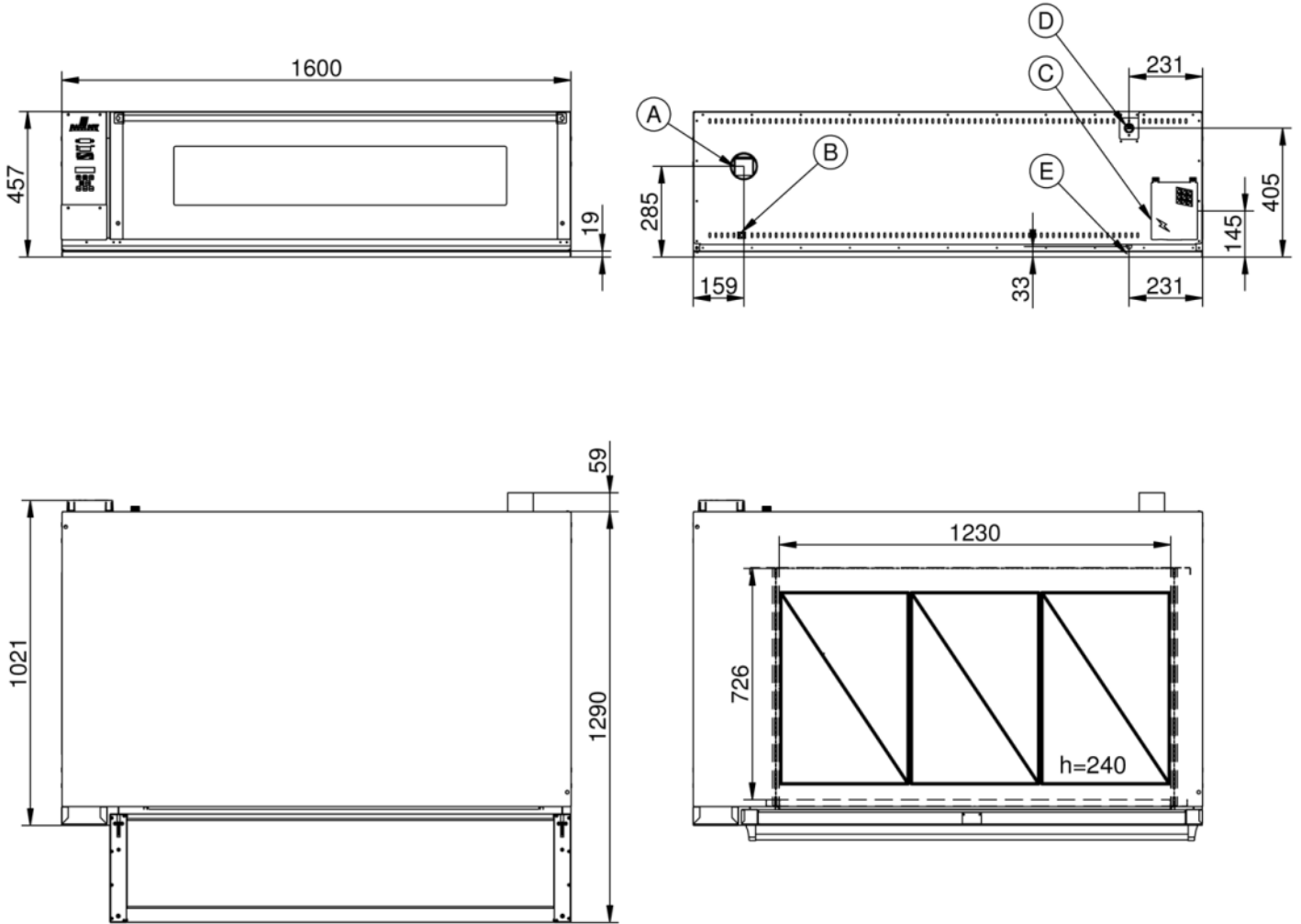
Double low emissive glass	High-performance thermal insulation	Modularity
CE Certificate	Temperature distribution top / bottom in percentage	Door gasket in refractory material
Manual steam injection	Manual mode	Automatic preheating
Delayed start programming	Automatic detection and errors report	Overlap option
Ground in refractory cement		

### Options

Steamer and automatic chimney

Deckbake 950 3T Classic H24

Electrical Supply



**Legend**

- A - Steam exhaust Ø 80
- B - Equipotential terminal comb
- C - Electric supply

E - Drain liquid Ø 12mm

Steamer Option:  
D - Water inlet 3/4"

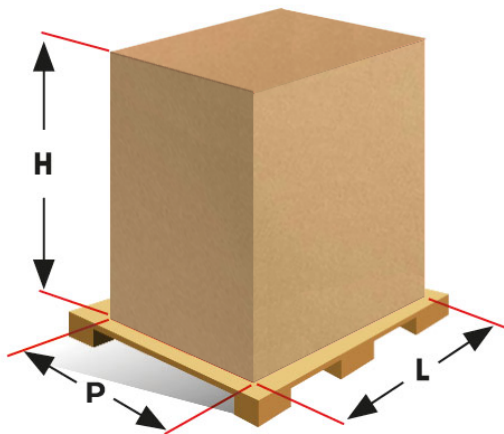
**Deckbake 950 3T Classic H24**

Electrical Supply

**Supply and Connections**



**Packaging**



Packing size:	<b>1660 L x 1180 P x 660 H mm</b>
Net weight:	<b>205 Kg</b>
Gross weight:	<b>237 Kg</b>