



Deckbake 950 3T Master Pro H24

Electrical Supply

CODE: 926052220

Trays	3T 40x60 cm
Internal dimensions	1230 L x 730 P x 240 H mm
Outside dimension	1600 L x 1026 P x 457 H mm
Power	10,9 kW
Weight	205 Kg
Max temperature	300° C
Power supply	400 V ~ 3PH + N + PE 400 V ~ 2PH + N + PE 230 V ~ 3PH + PE 230 V ~ 1PH + N + PE 50-60 Hz

Equipment

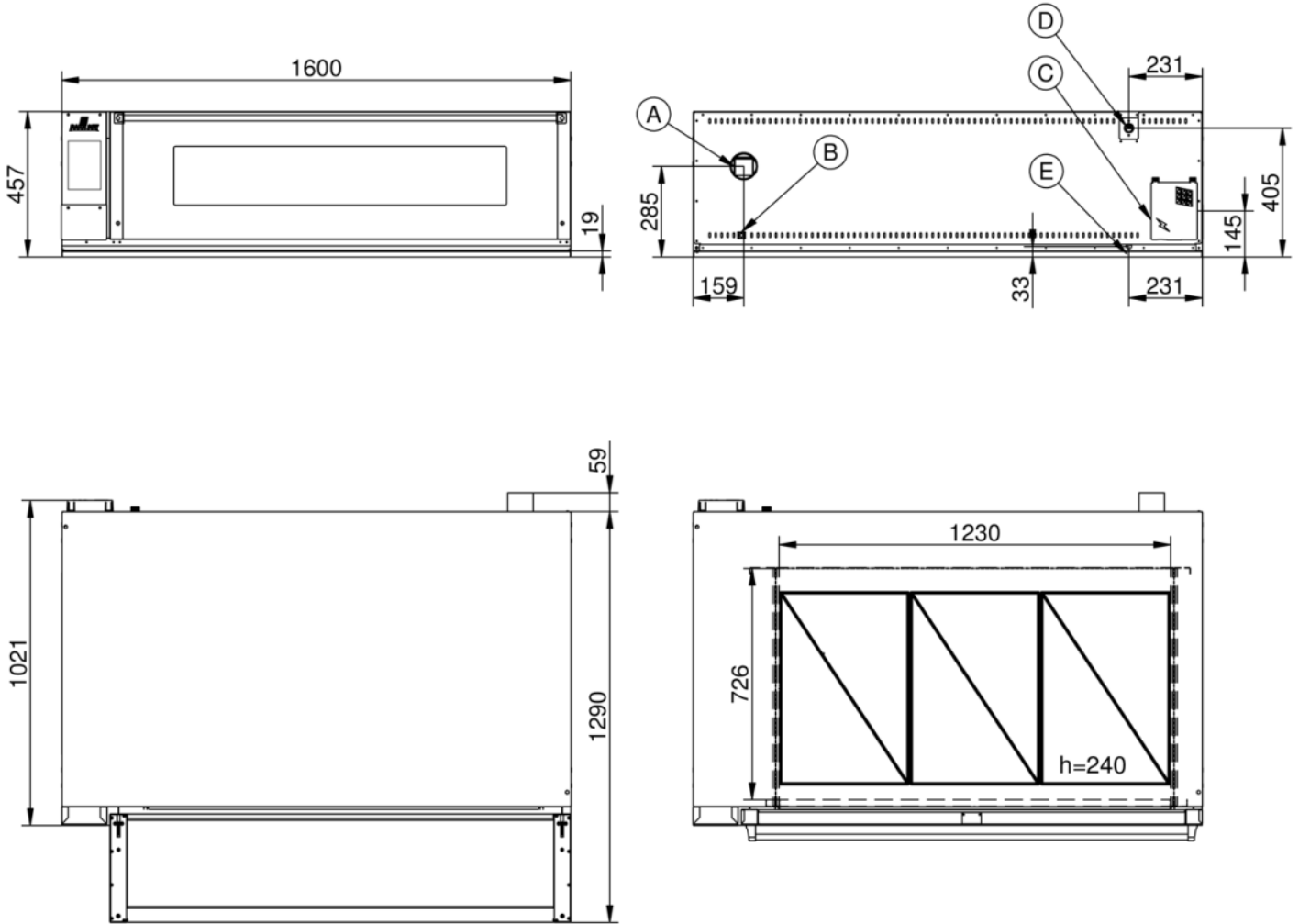
Double low emissive glass	High-performance thermal insulation	Modularity
CE Certificate	Temperature control top / bottom in °C	Door gasket in refractory material
Time-programmable steam injection	Manual steam injection	Manual mode
Automatic preheating	Delayed start programming	Automatic detection and errors report
Overlap option	Ground in refractory cement	

Options

Ethernet connection and wi-fi set-up DeckNET	Steamer and automatic chimney
--	-------------------------------

Deckbake 950 3T Master Pro H24

Electrical Supply



Legend

- A - Steam exhaust Ø 80
- B - Equipotential terminal comb
- C - Electric supply

E - Drain liquid Ø 12mm

Steamer Option:
D - Water inlet 3/4"

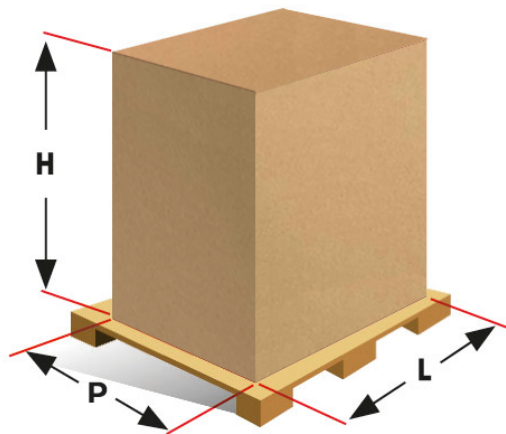
Deckbake 950 3T Master Pro H24

Electrical Supply

Supply and Connections



Packaging



Packing size:	1660 L x 1180 P x 660 H mm
Net weight:	205 Kg
Gross weight:	237 Kg