



Easy 4T Essential

Electrical Supply

CODE: 925804520

Trays	4T GN1/1 - 4T 60x40 cm
Outside dimension	830 L x 830 P x 570 H mm
Tray distance	75 mm
Power	8,5 kW
Weight	56 Kg
Max temperature	270° C
Power supply	400 V ~ 3PH + N + PE 230 V ~ 3PH + PE 230 V ~ 1PH + N + PE 50-60 Hz

Equipment

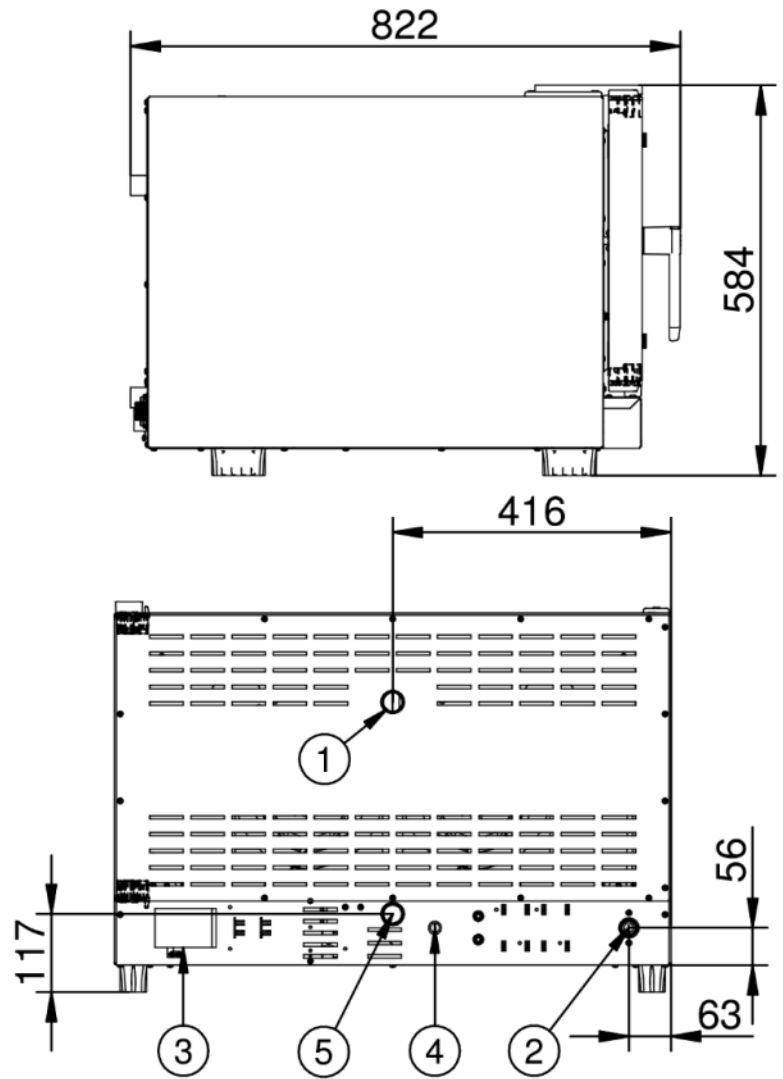
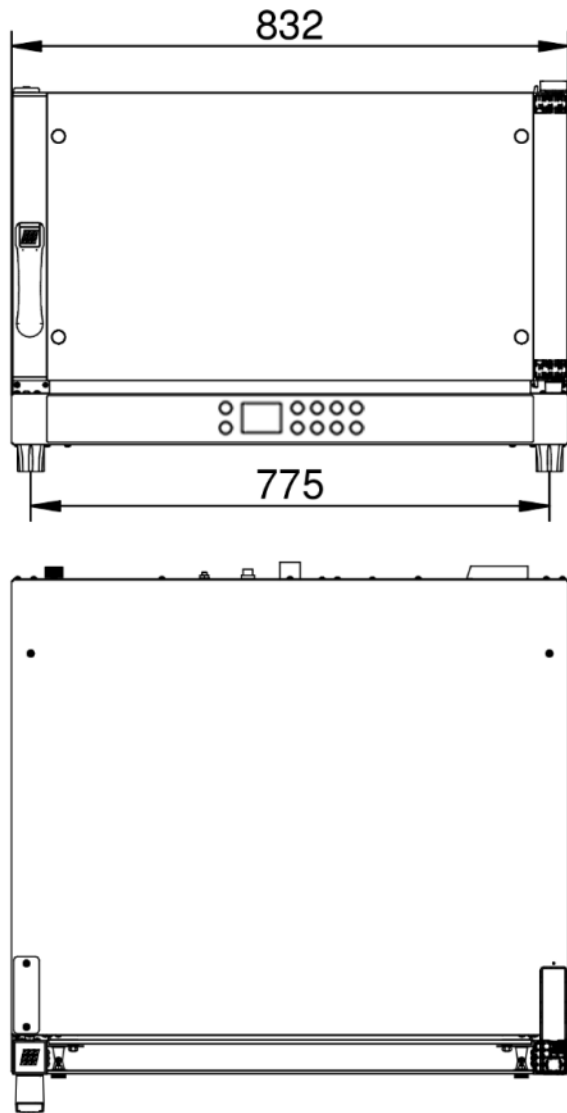
BakeAIR multi-fan system	Double low emissive glass	High-performance thermal insulation
Two fan speeds	Three cooking modes	Rounded baking chamber
Modularity	CE Certificate	Steam control in percentage BakeSTEAM
Customized programs mode	Manual mode	Automatic preheating
Cooling program	Overlap option	Openable inner glass for easy cleaning

Options

Left door opening

Easy 4T Essential

Electrical Supply



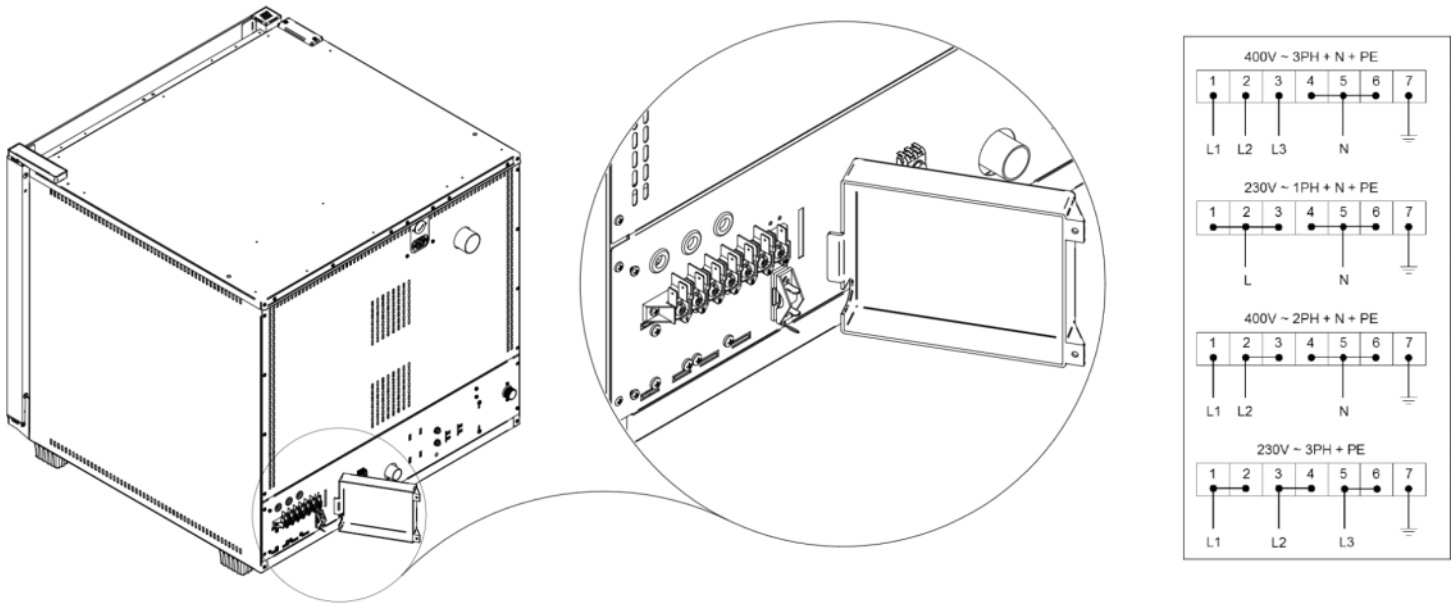
Legend

- 1 - Steam exhaust Ø 30mm
- 2 - Water inlet 3/4"
- 3 - Terminal box supply
- 4 - Safety thermostat
- 5 - Water exhaust Ø 30mm

Easy 4T Essential

Electrical Supply

Supply and Connections



Packaging



Packing size:	900 L x 900 P x 720 H mm
Net weight:	56 Kg
Gross weight:	66 Kg