



Gourmet 7T-L Master Pro

Electrical Supply

CODE: 926007330

Trays	7T GN 1/1
Outside dimension	850 L x 930 P x 830 H mm
Tray distance	65 mm
Power	10 kW
Weight	83 Kg
Max temperature	270° C
Power supply	400 V ~ 3PH + N + PE 400 V ~ 2PH + N + PE 230 V ~ 3PH + PE 230 V ~ 1PH + N + PE 50-60 Hz

Equipment

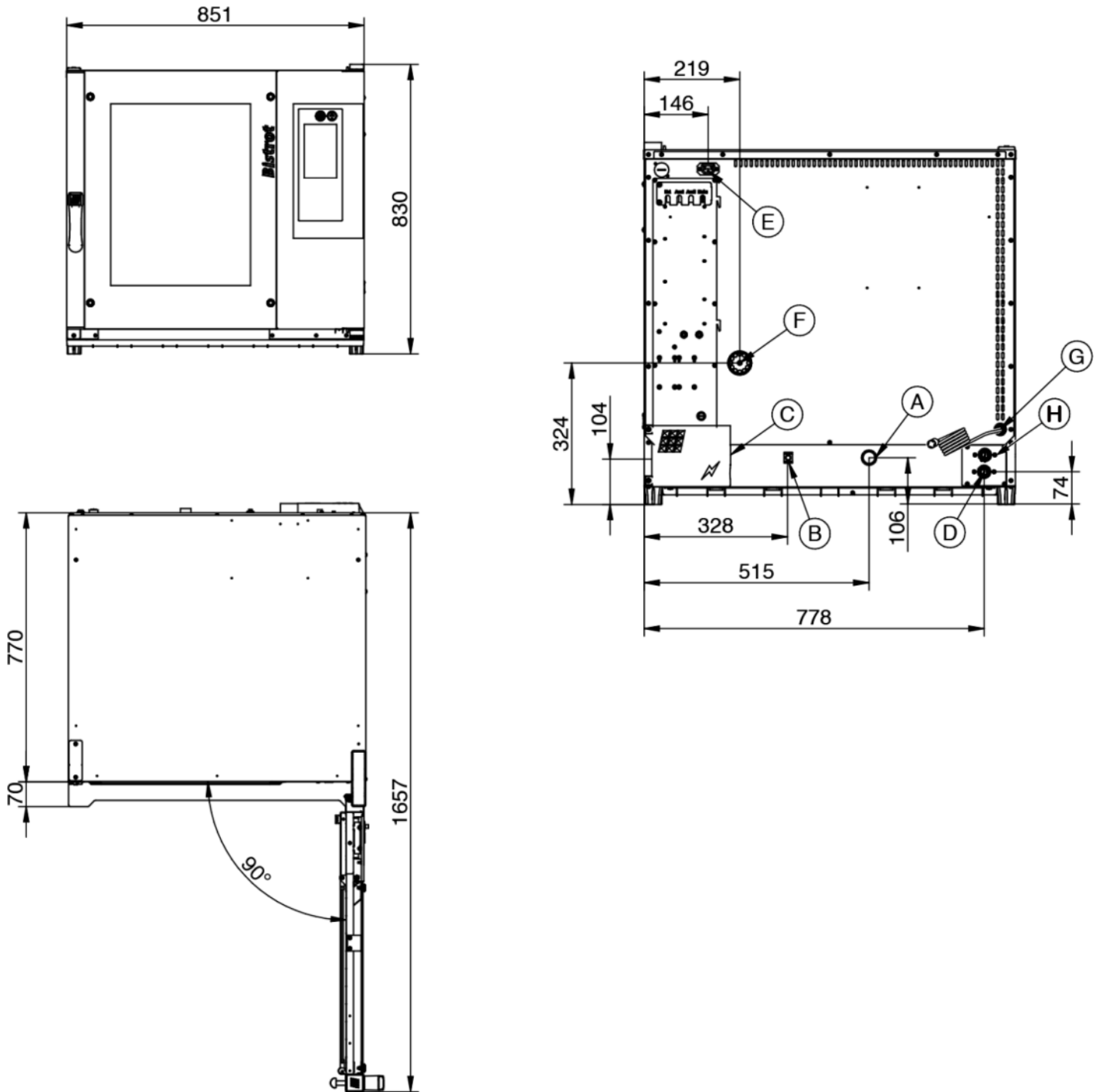
Led illumination	BakeAIR multi-fan system	Double low emissive glass
High-performance thermal insulation	BakeCLEAN automatic washing system	USB connection
Blue LED for chamber cleaning check	Water collection tray	Usable also with GN2/3 and GN1/2 trays
Core probe MultiBakePOINT	Set-up for BakeHIN vacuum core probe	Five fan speeds and semi-static cooking
Nine cooking modes	Automatic chimney opening BakeDRY	Program blocking with password
Rounded baking chamber	Modularity	CE Certificate
Automatic control of dry/steam balance inside the chamber	Steam control in percentage BakeSTEAM	Automatic control of the cooking level and load
Multi-timer function for multiple and mixed cooking	Storage, viewing* and exportation of cooking data (haccp)	Customized programs mode
Manual mode	Preset programs mode	Automatic preheating
Cooling program	Delayed start programming	Delayed cooking programming
Cooking chamber automatic cooling	Pre-loaded and online cookbook	Automatic detection and errors report
Safety rinse	Overlap option	Openable inner glass for easy cleaning
Fan inversion, speed control and motor brake	Adaptive steam pressure and chamber saturation control	

Options

BakeHIN vacuum core probe	Fat collection BakeFAT	Left door opening
---------------------------	------------------------	-------------------

Gourmet 7T-L Master Pro

Electrical Supply



Legend

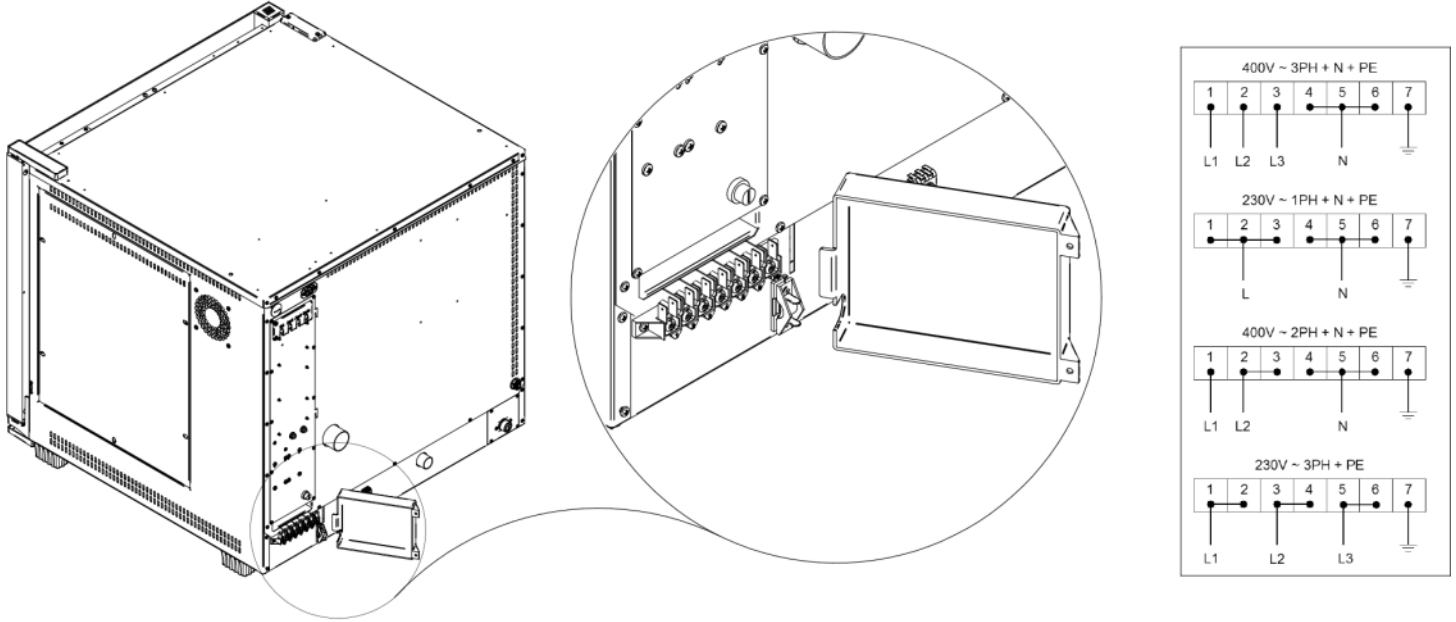
- A - Drain liquid Ø 30mm
- B - Equipotential terminal comb
- C - Electric supply
- D - Water inlet 3/4" steam
- E - Extracting hood supply
- F - Steam exhaust Ø 50mm

- G - Inlet for Clean and Care
- H - Water inlet 3/4" washing

Gourmet 7T-L Master Pro

Electrical Supply

Supply and Connections



Packaging



Packing size:	920 L x 1000 P x 980 H mm
Net weight:	83 Kg
Gross weight:	101 Kg