



## Rotorbake E11 18T Classic

Electrical Power Supply

CODE: 926018305

Trays	18T 80x80 (11.5m <sup>2</sup> ) 2x46x66 (10.9m <sup>2</sup> ) 66x92 (10.9m <sup>2</sup> ) 80x100cm (14.4m <sup>2</sup> )
Outside dimension	1550 L x 2244 P x 2504 H mm
Tray distance	93 mm
Power	80 kW
Weight	1150 Kg
Max temperature	270° C
Power supply	400 V ~ 3PH + N + PE 230 V ~ 3PH + PE 230 V ~ 1PH + N + PE 50-60 Hz

### Equipment

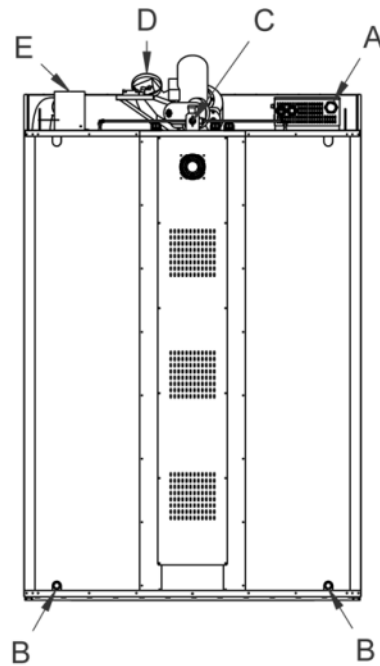
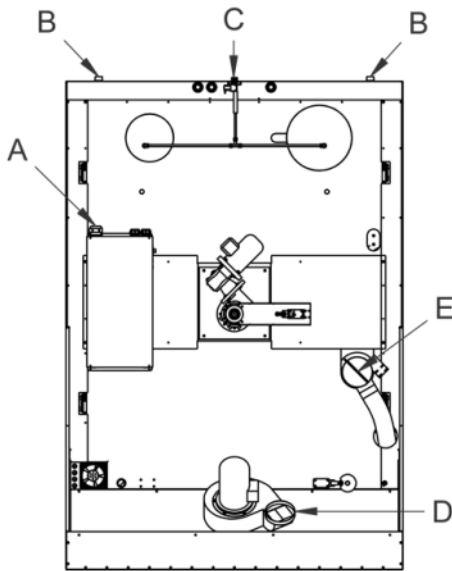
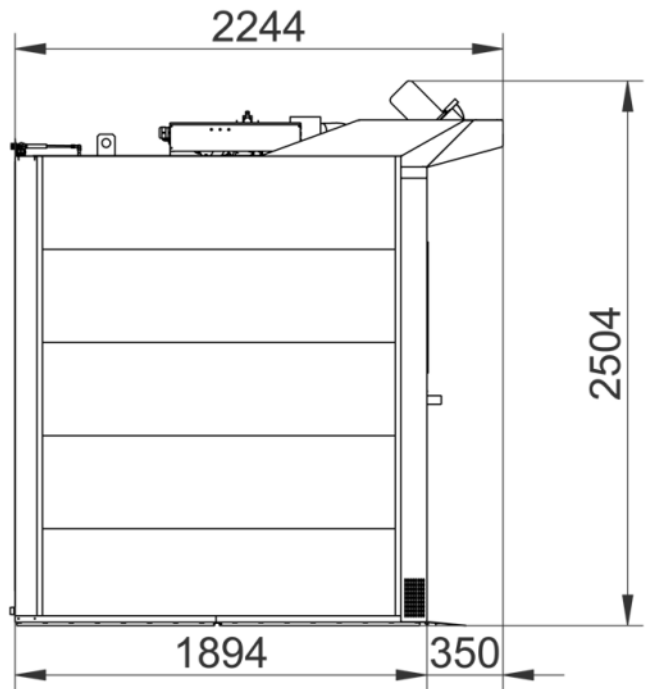
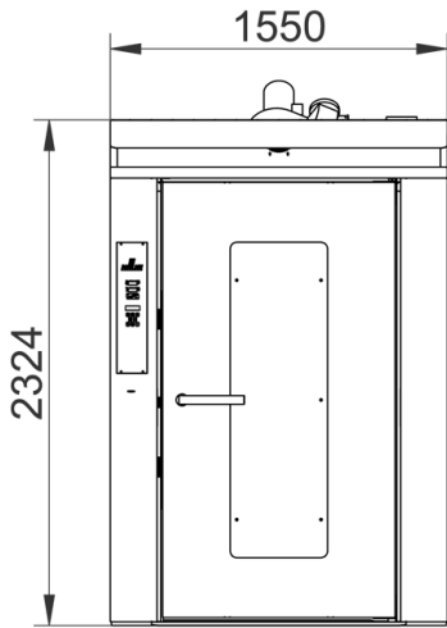
BakeAIR multi-fan system	Double low emissive glass	High-performance thermal insulation
Five fan speeds and semi-static cooking	Five cooking modes	Automatic chimney opening BakeDRY
Program blocking with password	CE Certificate	Automatic control of dry/steam balance inside the chamber
Steam control in percentage BakeSTEAM	Automatic control of the cooking level and load	Double steamer RotorBake
Multi-timer function for multiple and mixed cooking	Storage, viewing* and exportation of cooking data (haccp)	Customized programs mode
Manual mode	Preset programs mode	ETL / NSF certification
Automatic preheating	Cooling program	Delayed start programming
Delayed cooking programming	Pre-loaded and online cookbook	Automatic detection and errors report

### Options

S/S external paneling	Double-closing door and double gasket	Rotating platform
Rack automatic lift for Rotorbake	Left door opening	Data logger for USB connection

Rotorbake E11 18T Classic

Electrical Power Supply



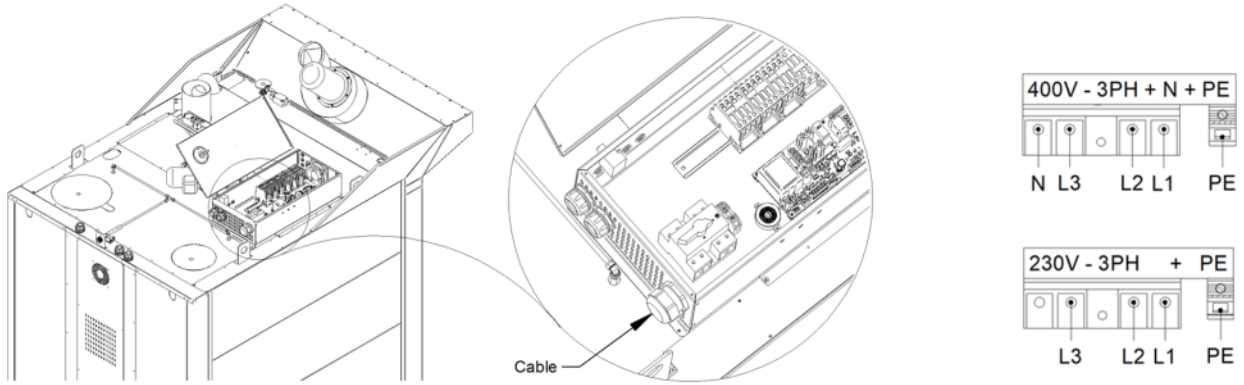
**Legend**

- A - Power supply inlet
- B - Water discharge 1"
- C - Water inlet 3/4"
- D - Extractor hood discharge
- E - Chamber steam discharge Ø 140

**Rotorbake E11 18T Classic**

Electrical Power Supply

**Supply and Connections**



**Packaging**



Packing size:	1660 L x 2250 P x 2550 H mm
Net weight:	1150 Kg
Gross weight:	1150 Kg