



## Rotorbake E16 18T Classic

Electrical Supply

CODE: 926018600

Trays	18T 80x120 cm (17.2m <sup>2</sup> )
Outside dimension	1950 L x 2674 P x 2504 H mm
Tray distance	93 mm
Power	80 kW
Weight	1200 Kg
Max temperature	270° C
Power supply	400 V ~ 3PH + N + PE 230 V ~ 3PH + PE 230 V ~ 1PH + N + PE 50-60 Hz

### Equipment

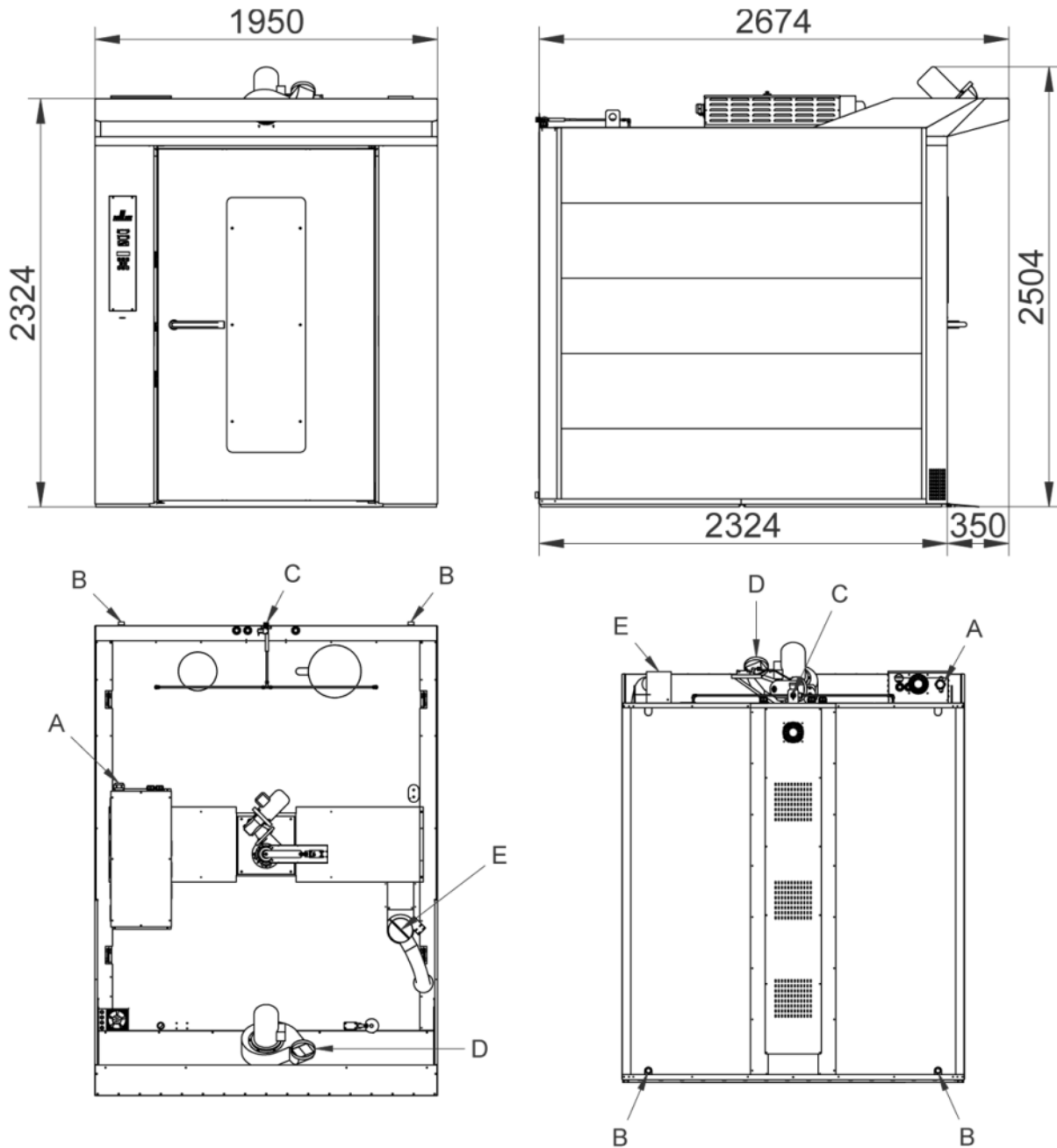
BakeAIR multi-fan system	Double low emissive glass	High-performance thermal insulation
Five fan speeds and semi-static cooking	Five cooking modes	Automatic chimney opening BakeDRY
Program blocking with password	CE Certificate	Automatic control of dry/steam balance inside the chamber
Steam control in percentage BakeSTEAM	Automatic control of the cooking level and load	Double steamer RotorBake
Multi-timer function for multiple and mixed cooking	Storage, viewing* and exportation of cooking data (haccp)	Customized programs mode
Manual mode	Preset programs mode	Automatic preheating
Cooling program	Delayed start programming	Delayed cooking programming
Pre-loaded and online cookbook	Automatic detection and errors report	

### Options

S/S external paneling	Double-closing door and double gasket	Rotating platform
Double-rack rotating platform	Rack automatic lift for Rotorbake	Left door opening
Data logger for USB connection		

Rotorbake E16 18T Classic

Electrical Supply



**Legend**

- A - Power supply inlet
- B - Water discharge 1"
- C - Water inlet 3/4"
- D - Extractor hood discharge
- E - Chamber steam discharge Ø 140

**Rotorbake E16 18T Classic**

Electrical Supply

**Supply and Connections****Packaging**

Packing size:	2030 L x 2670 P x 2550 H mm
Net weight:	1200 Kg
Gross weight:	1390 Kg