



Rotorbake E5 15T Manual

Electrical Supply

CODE: 825818830

Trays	15T 40x60cm (3.6m ²) 40x80cm (4.8m ²) 46x66cm (4.55 m ²) 50x70cm (5.25 m ²) 60x65cm (5.85 m ²)
Outside dimension	1150 L x 1730 P x 2320 H mm
Tray distance	93 mm
Power	30 kW
Weight	615 Kg
Max temperature	270° C
Power supply	400 V ~ 3PH + N + PE 400 V ~ 2PH + N + PE 230 V ~ 3PH + PE 230 V ~ 1PH + N + PE 50-60 Hz

Equipment

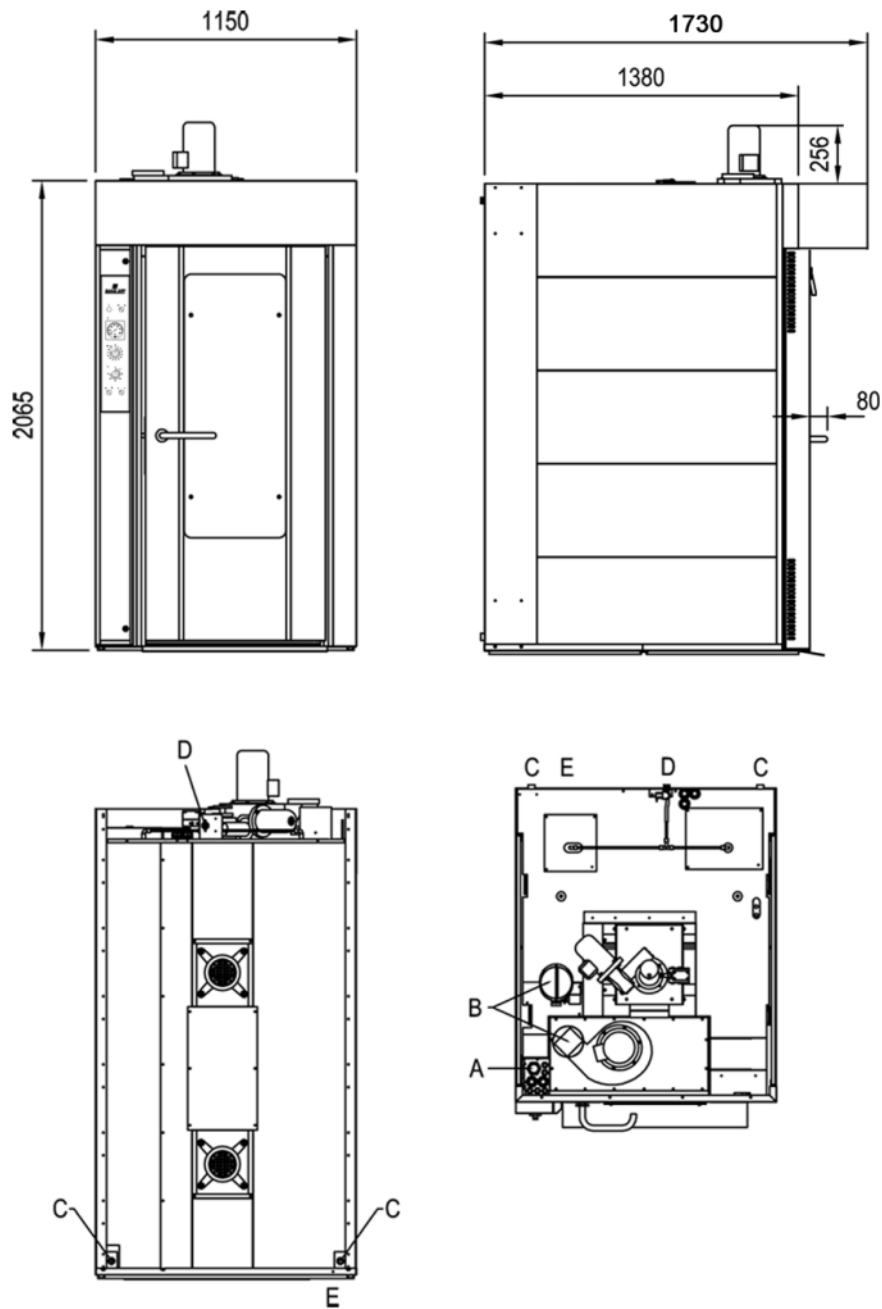
BakeAIR multi-fan system	Double low emissive glass	High-performance thermal insulation
CE Certificate	Double steamer RotorBake	Time-programmable steam injection
Manual steam injection	Manual mode	

Options

S/S external paneling	Double-closing door and double gasket	Rotating platform
Rack automatic lift for Rotorbake	Left door opening	

Rotorbake E5 15T Manual

Electrical Supply



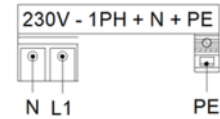
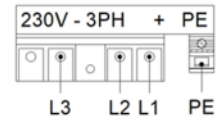
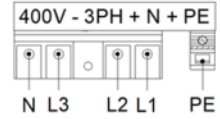
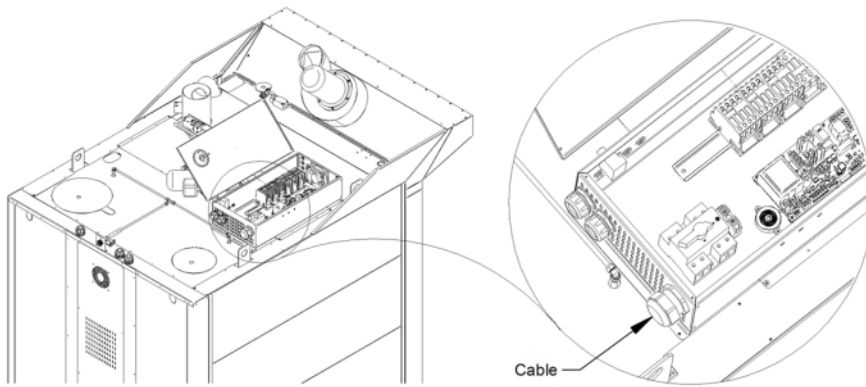
Legend

- A - Power supply inlet
- B - Steam exhaust Ø 140
- C - Drain liquid 1"
- D - Water inlet 3/4"
- E - Equipotential terminal comb

Rotorbake E5 15T Manual

Electrical Supply

Supply and Connections



Packaging



Packing size:	1270 L x 1650 P x 2300 H mm
Net weight:	615 Kg
Gross weight:	685 Kg