



Rotorbake T5 15T Classic

Gas Supply

CODE: 825818870

Trays	15T 40x60cm (3.6m ²) 40x80cm (4.8m ²) 46x66cm (4.55 m ²) 50x70cm (5.25 m ²) 60x65cm (5.85 m ²)
Outside dimension	1150 L x 1730 P x 2320 H mm
Tray distance	93 mm
Power	34.8 kW - 30.000 Kcal/h - Ele. 1,6 kW
Weight	715 Kg
Max temperature	270° C
Power supply	400 V ~ 3PH + N + PE 230 V ~ 3PH + PE 230 V ~ 1PH + N + PE 50-60 Hz

Equipment

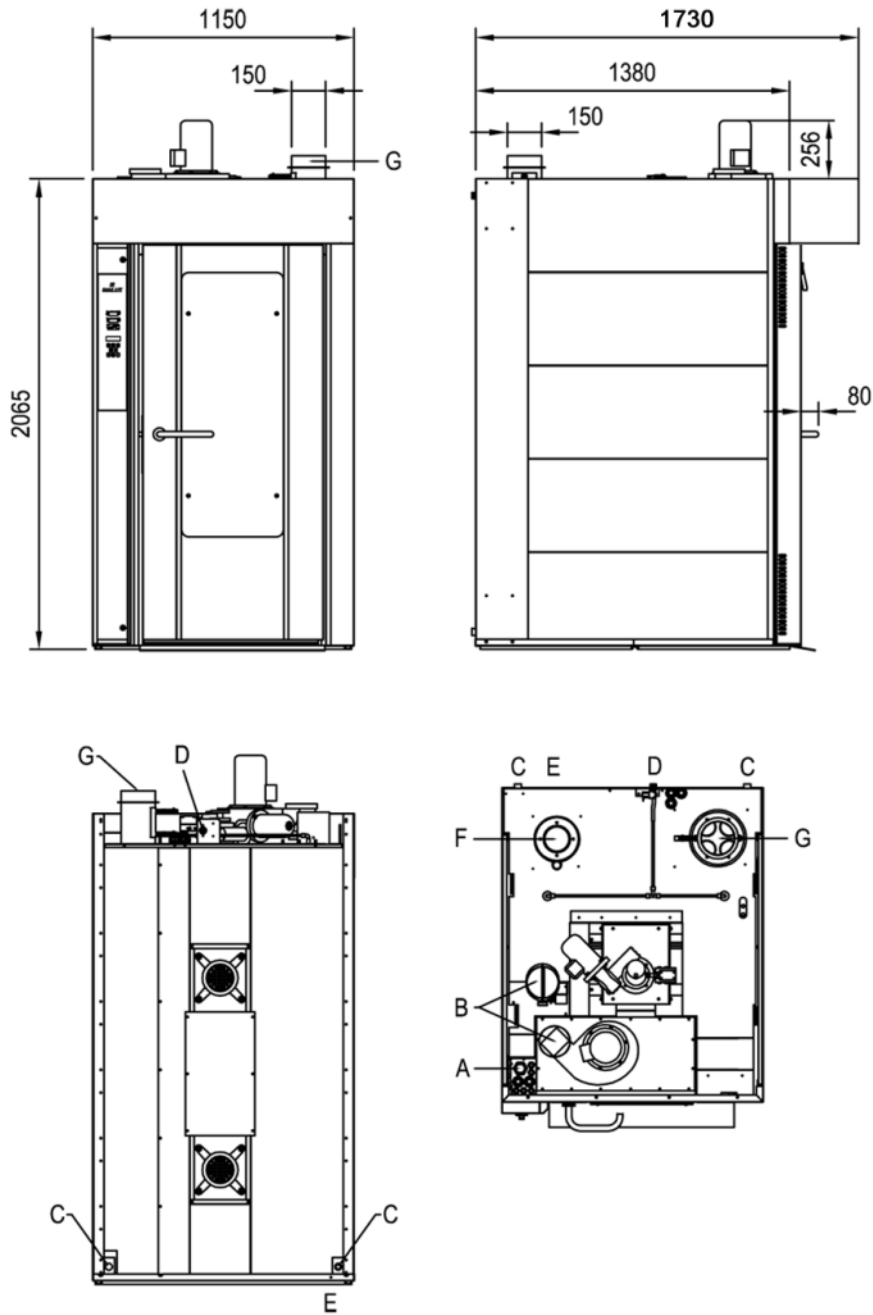
BakeAIR multi-fan system	Double low emissive glass	High-performance thermal insulation
Five fan speeds and semi-static cooking	Five cooking modes	Automatic chimney opening BakeDRY
Program blocking with password	Combustion chamber covered by 7-year warranty	Heat exchanger inside the cooking chamber
CE Certificate	Automatic control of dry/steam balance inside the chamber	Steam control in percentage BakeSTEAM
Automatic control of the cooking level and load	Double steamer RotorBake	Multi-timer function for multiple and mixed cooking
Storage, viewing* and exportation of cooking data (haccp)	Customized programs mode	Manual mode
Preset programs mode	ETL / NSF certification	Automatic preheating
Cooling program	Delayed start programming	Delayed cooking programming
Pre-loaded and online cookbook	Automatic detection and errors report	

Options

S/S external paneling	Rotating platform	Data logger for USB connection
-----------------------	-------------------	--------------------------------

Rotorbake T5 15T Classic

Gas Supply



Legend

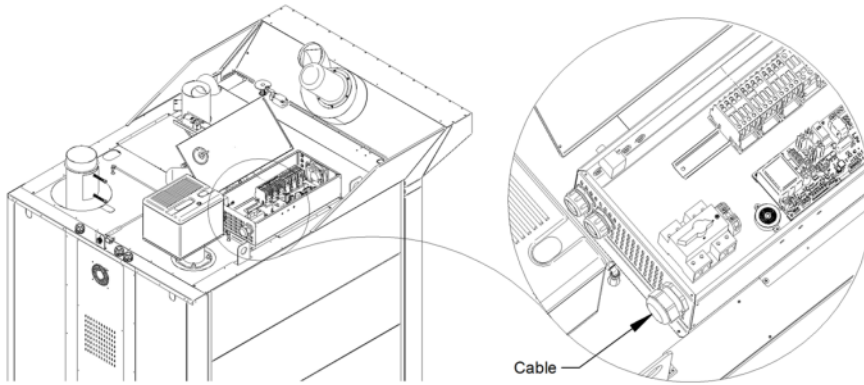
- A - Electric supply 1,6 kW
- B - Steam exhaust Ø 140
- C - Drain liquid 1"
- D - Water inlet 3/4"
- E - Equipotential terminal comb
- F - Burner

G - Ø 150mm Combustion chamber fumes exhaust

Rotorbake T5 15T Classic

Gas Supply

Supply and Connections



Packaging



Packing size:	1270 L x 1650 P x 2300 H mm
Net weight:	715 Kg
Gross weight:	785 Kg