



Rotorbake T8 18T Manual

Gas Supply

CODE: 926018270

Trays	18T 60x80 cm (8.6m ²)
Outside dimension	1300 L x 1939 P x 2504 H mm
Tray distance	93 mm
Power	64 kW - 55.000 Kcal/h - Ele. 2 kW
Weight	900 Kg
Max temperature	270° C
Power supply	400 V ~ 3PH + N + PE 400 V ~ 2PH + N + PE 230 V ~ 3PH + PE 230 V ~ 1PH + N + PE 50-60 Hz

Options

S/S external paneling

Rack automatic lift for Rotorbake

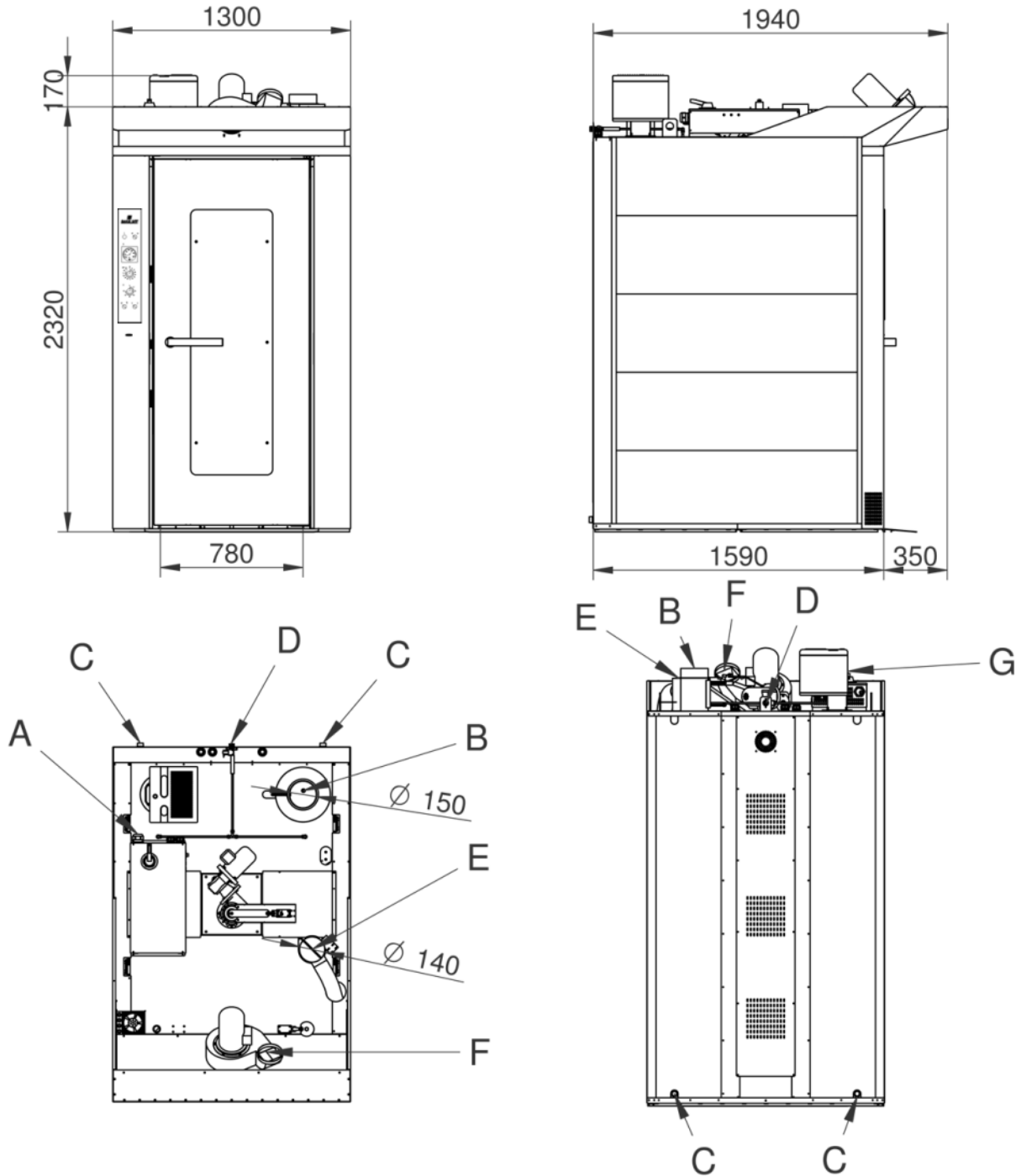
Double-closing door and double gasket

Left door opening

Rotating platform

Rotorbake T8 18T Manual

Gas Supply



Legend

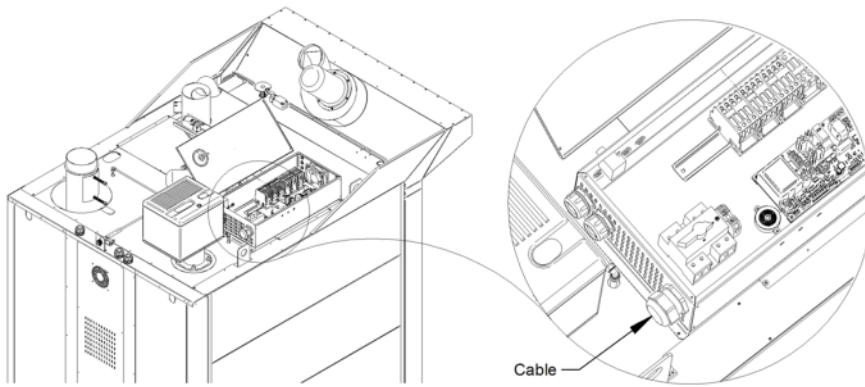
- A - Electric supply 2 kW - (Pg36)
- B - Ø 150mm Combustion chamber fumes exhaust
- C - Water discharge 1"
- D - Water inlet 3/4"
- E - Chamber steam discharge Ø 140
- F - Extractor hood discharge

G - Burner

Rotorbake T8 18T Manual

Gas Supply

Supply and Connections



Packaging



Packing size:	1400 L x 1900 P x 2550 H mm
Net weight:	900 Kg
Gross weight:	975 Kg